



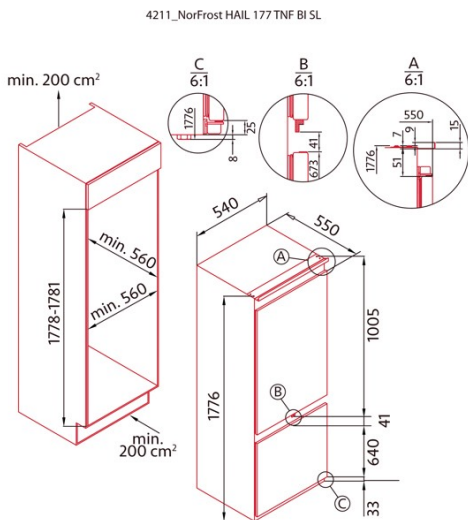
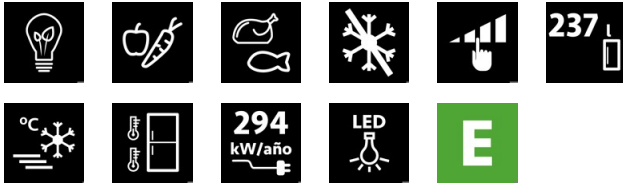
COMBI FRIDGE FREEZER



NorFrost HAIL 177 TNF BI SL

Cod. 4211

EAN 8422248349727



GENERAL INFORMATION

EAN/UPC	8422248349727
Subfamily	Combi

Product sheet according to EU Regulation 2019/2016

Energy efficiency class	E
Energy consumption [kWh/year]	294
Refrigerator storage volume [l]	170
Freezer storage volume [l]	67
Star rating	4
Frost-free fridge	√
Frost-free freezer	√
Freezing capacity [kg/24h]	3,2
Climate class	N/ST
Noise emissions [dBA]	41
Installation type	Built-In

Refrigerator equipment

Number of door balconies	3
Number of glass shelves	3
Wine rack	√
Fruit and vegetable drawer	1
Meat and fish chiller	1
Metallic interior decoration	√
Number of egg trays	1
Egg capacity	1-6

Freezer equipment

Number of drawers	3
Number of closed drawers	3

Illumination

Refrigerator light	√
Freezer light	-
LED light	√

Power and water connection

Nominal voltage (V)	220-240
Nominal frequency (Hz)	50
Plug type	Type F

Control

Control type	Electronic
Display	LED
Cooling system	No Frost
Electronic regulation of refrigerator temperature	√
Electronic regulation of freezer temperature	√
Super cooling function	√
Super freezing function	√
Public holiday celebration	√

Installation

Built-in width (mm)	560
Built-in depth (mm)	560
Reversible doors	√
Door opening side	Right