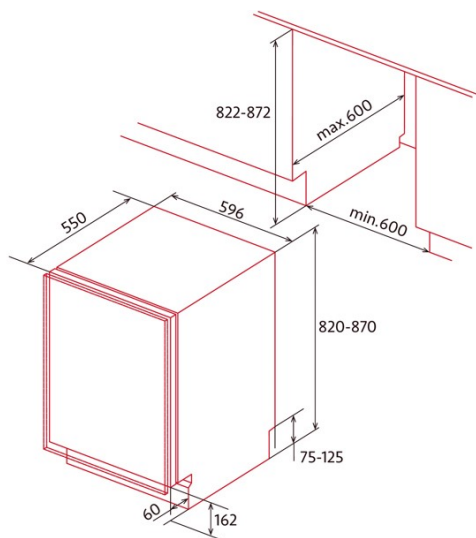




NorFrost HAIL 82 BI

Cod. 4209

EAN 8422248349697



GENERAL INFORMATION

EAN/UPC	8422248349697
Subfamily	Tabletop

Product sheet according to EU Regulation 2019/2016

Energy efficiency class	E
Energy consumption [kWh/year]	147
Refrigerator storage volume [l]	95
Freezer storage volume [l]	16
Star rating	4
Freezing capacity [kg/24h]	2,6
Climate class	N/ST
Noise emissions [dBA]	40
Installation type	Built-In

Refrigerator equipment

Number of door balconies	2
Number of glass shelves	2
Wine rack	-
Metallic interior decoration	√
Number of egg trays	1
Egg capacity	1-6

Freezer equipment

Number of closed drawers	1
--------------------------	---

Illumination

Refrigerator light	√
Freezer light	-
LED light	√

Power and water connection

Nominal voltage (V)	220-240
Nominal frequency (Hz)	50
Plug type	Type F

Control

Control type	Electronic
Electronic regulation of refrigerator temperature	√
Electronic regulation of freezer temperature	√

Installation

Width (mm)	596
Height (mm)	820
Depth (mm)	550
Reversible doors	√
Door opening side	Right