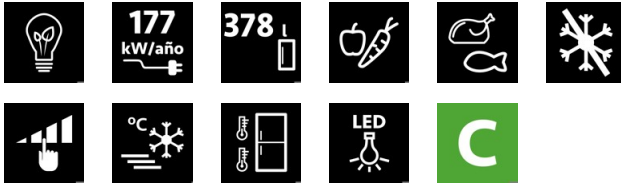




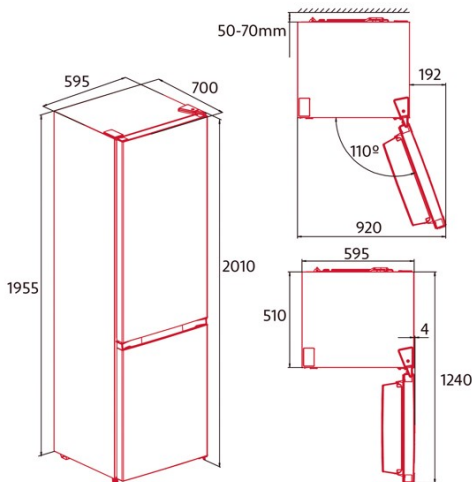
NorFrost HAIL 201 TNF INOX

Cod. 4205

EAN 8435025742055



4205_NorFrost HAIL 201 TNF INOX



GENERAL INFORMATION

EAN/UPC	8435025742055
Subfamily	Combi

Product sheet according to EU Regulation 2019/2016

Energy efficiency class	D
Energy consumption [kWh/year]	192
Refrigerator storage volume [l]	246
Freezer storage volume [l]	83
Star rating	4
Frost-free fridge	√
Frost-free freezer	√
Freezing capacity [kg/24h]	4
Climate class	N/ST
Noise emissions [dBA]	41
Installation type	Free Standing

Refrigerator equipment

Number of door balconies	4
Number of glass shelves	3

Freezer equipment

Number of drawers	3
-------------------	---

Illumination

Refrigerator light	√
Freezer light	-
LED light	√

Power and water connection

Nominal voltage (V)	220-240
Nominal frequency (Hz)	50
Nominal input power (W)	190
Plug type	Type F

Control

Control type	Electronic
Display	LED
Cooling system	No Frost
Electronic regulation of refrigerator temperature	√
Electronic regulation of freezer temperature	√
Super cooling function	√
Super freezing function	√
Public holiday celebration	√

Installation

Width (mm)	595
Height (mm)	2010
Depth (mm)	630
Handle type	Maneta exterior
Reversible doors	√
Wheels	√
Door opening side	Right